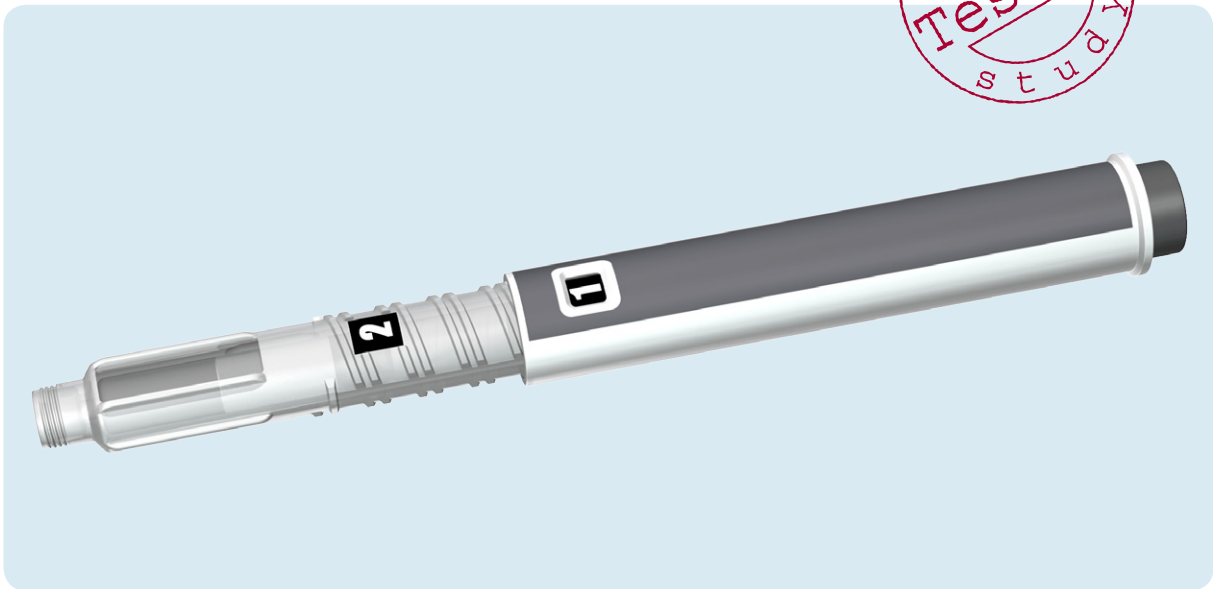


# LyoTwist™ Trio S



## Automated Delivery Made Simple for Dual-Chamber Cartridges

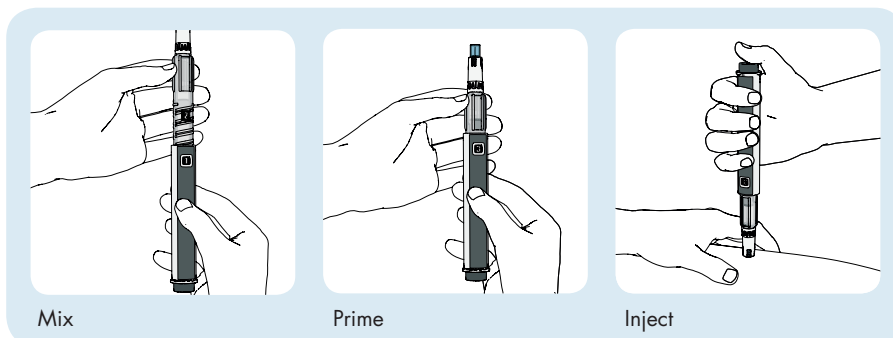
The automatic fixed monodose lyo-pen provides patients with excellent visualisation of the reconstitution, priming and injection steps. The proven twist motion reconstitution system and patented pen mechanism ensure that the three key handling steps are performed in the correct order and audible "CLICKS" reinforce each step.

Multidose	Variable dose
Monodose	Fixed dose

### Features and benefits

- Proven and intuitive twisting method for reconstitution and priming
- Transparent cartridge holder provides full visualisation of the cartridge
- Reconstitution and priming positions clearly indicated with visual markings and audible "CLICK" signals
- Dose button locked until priming is completed
- Automatic delivery with clear end-of-injection "CLICK"-signal
- Simple mechanical design optimised for high-volume production
- Fixed dose easy to customise

### Main handling steps

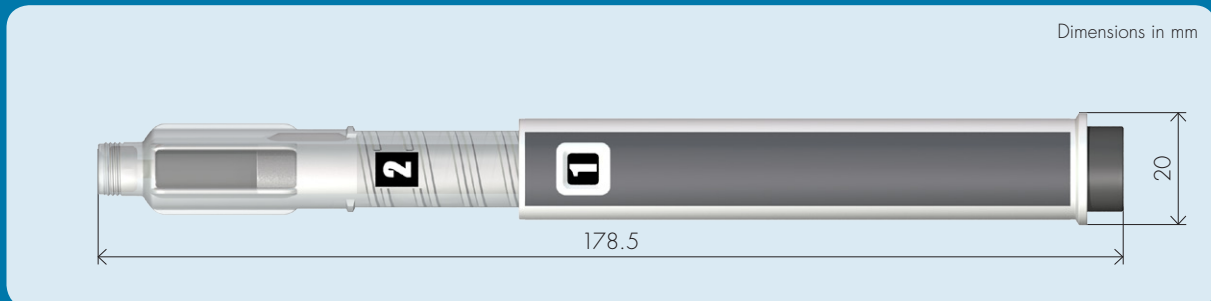


Mix

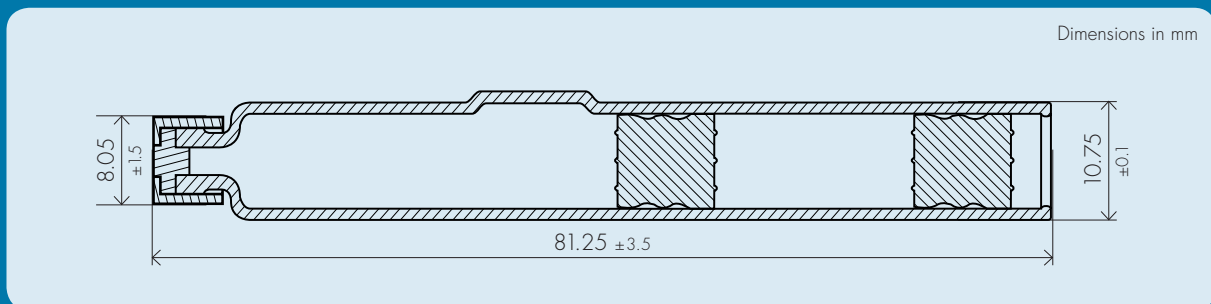
Prime

Inject

## Pen dimensions



## Cartridge type



Standard dual-chamber cartridge with a maximum nominal volume of 1.0 ml

Note: Plunger position varies according to diluent fill volume.

COMPATIBILITY BETWEEN EACH NEW CARTRIDGE AND THE LyoTwist™ Trio S PEN  
REQUIRES VERIFICATION

## Pen specifications

Note: The maximum dose impacts the device length. The shown pen is designed for a dose of 0.5 ml

- Dosing volume up to 1.0 ml
- Compatible with standard and safety pen needles – Ypsomed Penfine®, Clickfine® and Clickfine® AutoProtect™ pen needles with unique click-on function are recommended and can be prepacked with every pen.